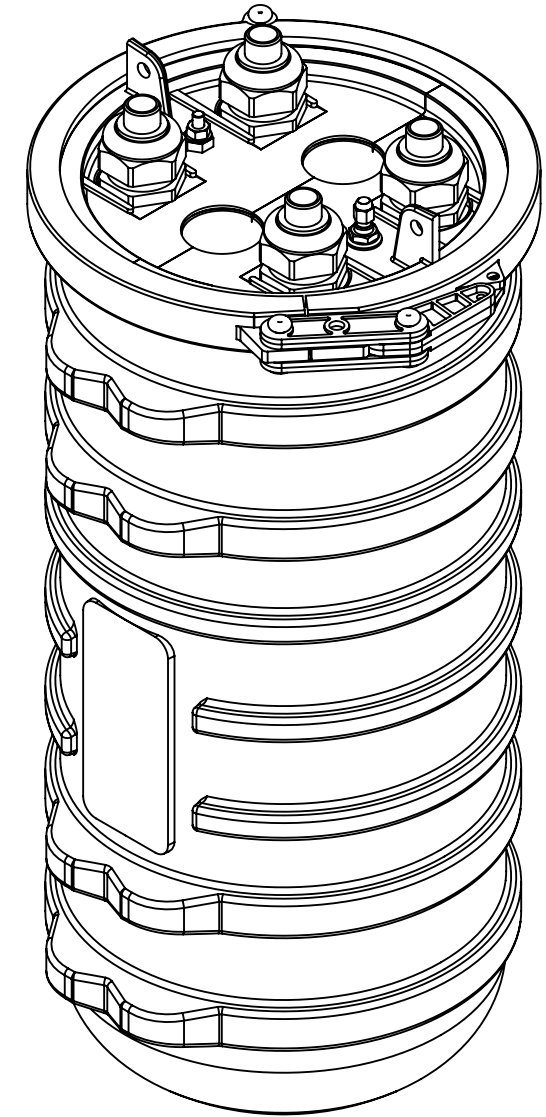
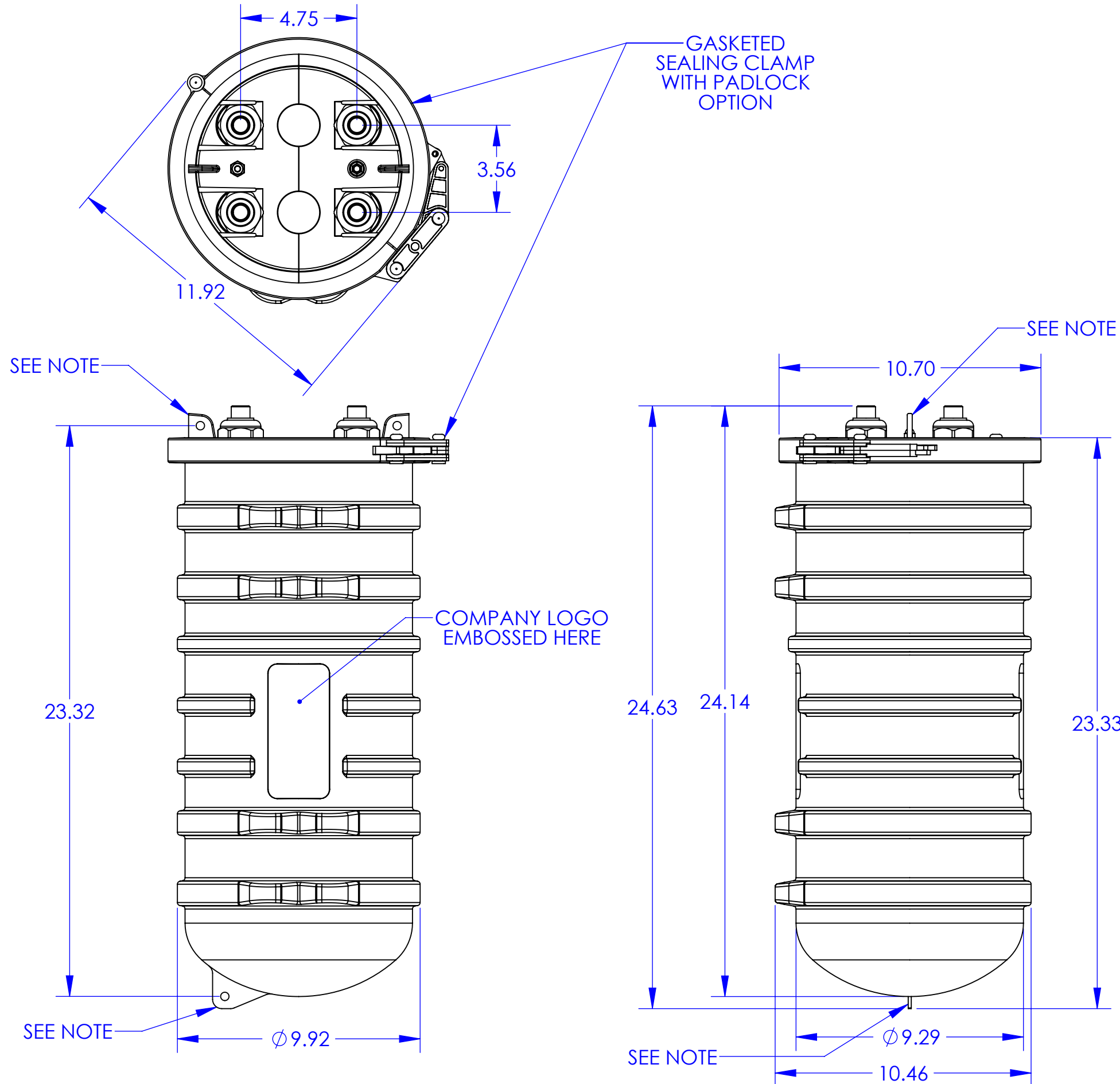


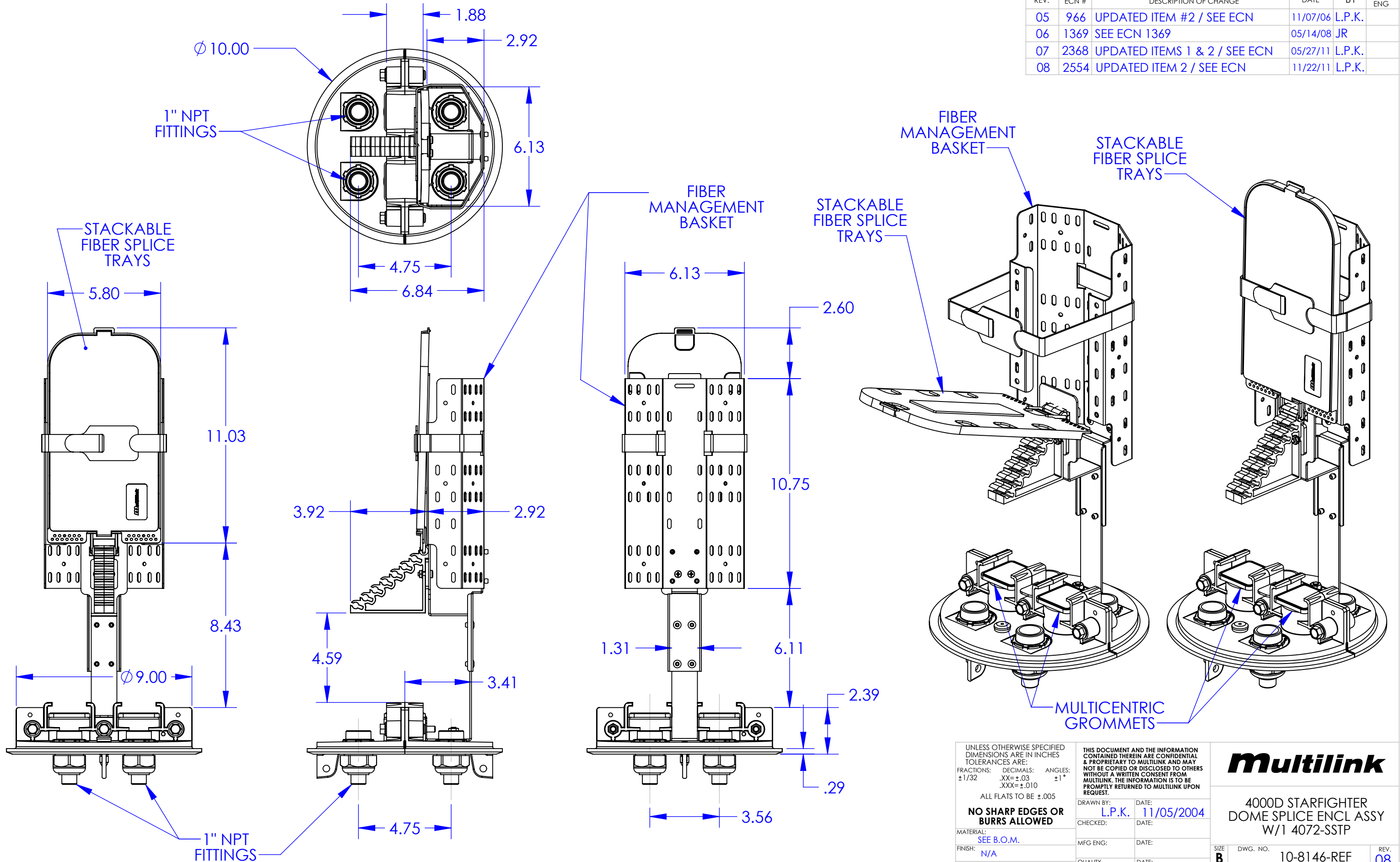
REV.	ECN #	DESCRIPTION OF CHANGE	DATE	BY	MFG ENG
05	966	UPDATED ITEM #2 / SEE ECN	11/07/06	L.P.K.	
06	1369	SEE ECN 1369	05/14/08	JR	
07	2368	UPDATED ITEMS 1 & 2 / SEE ECN	05/27/11	L.P.K.	
08	2554	UPDATED ITEM 2 / SEE ECN	11/22/11	L.P.K.	



NOTE:
1. MOUNTING PROVISIONS PROVIDED FOR AERIAL HANGER BRACKETS OR WALL/POLE MOUNTING BRACKETS.

UNLESS OTHERWISE SPECIFIED DIMENSIONS ARE IN INCHES TOLERANCES ARE: FRACTIONS: ±1/32 DECIMALS: .XX=±.03 ANGLES: ±1° .XXX=±.010 ALL FLATS TO BE ±.005 NO SHARP EDGES OR BURRS ALLOWED		THIS DOCUMENT AND THE INFORMATION CONTAINED THEREIN ARE CONFIDENTIAL & PROPRIETARY TO MULTILINK AND MAY NOT BE COPIED OR DISCLOSED TO OTHERS WITHOUT A WRITTEN CONSENT FROM MULTILINK. THE INFORMATION IS TO BE PROMPTLY RETURNED TO MULTILINK UPON REQUEST.		Multilink	
MATERIAL: SEE B.O.M.	FINISH: N/A	DRAWN BY: L.P.K.	DATE: 11/05/2004	4000D STARFIGHTER DOME SPLICE ENCL ASSY W/1 4072-SSTP	
DO NOT SCALE DRAWING	QUALITY ENG:	MFG ENG:	DATE:	SIZE B	DWG. NO. 10-8146-REF
				SCALE: 1:4.5	REV. 08
				CAD FILE: 10-8146-REF	SHEET: 1 OF 2

REV.	ECN #	DESCRIPTION OF CHANGE	DATE	BY	MFG ENG
05	966	UPDATED ITEM #2 / SEE ECN	11/07/06	L.P.K.	
06	1369	SEE ECN 1369	05/14/08	JR	
07	2368	UPDATED ITEMS 1 & 2 / SEE ECN	05/27/11	L.P.K.	
08	2554	UPDATED ITEM 2 / SEE ECN	11/22/11	L.P.K.	



UNLESS OTHERWISE SPECIFIED DIMENSIONS ARE IN INCHES TOLERANCES ARE:
 FRACTIONS: ±1/32
 DECIMALS: .XX=±.03
 ANGLES: ±1°
 .XXX=±.010
 ALL FLATS TO BE ±.005
NO SHARP EDGES OR BURRS ALLOWED
 MATERIAL: SEE B.O.M.
 FINISH: N/A
 DO NOT SCALE DRAWING

THIS DOCUMENT AND THE INFORMATION CONTAINED THEREIN ARE CONFIDENTIAL & PROPRIETARY TO MULTILINK AND MAY NOT BE COPIED OR DISCLOSED TO OTHERS WITHOUT A WRITTEN CONSENT FROM MULTILINK. THE INFORMATION IS TO BE PROMPTLY RETURNED TO MULTILINK UPON REQUEST.
 DRAWN BY: L.P.K.
 DATE: 11/05/2004
 CHECKED: DATE:
 MFG ENG: DATE:
 QUALITY ENG: DATE:



4000D STARFIGHTER DOME SPLICE ENCL ASSY W/1 4072-SSTP